

# HYDRO

CONSTRUCTION  
PRODUCTS

## Threshold

### HYDRO Stainless & Galvanised Threshold Drain Systems

Seamless and  
water proof designs

Multiple installation options

Various grates available



# HYDRO Zero Threshold System

## Seamless and water proof design

### What is Zero Threshold

The Hydro Zero Threshold system not only provides a modern, contemporary design, but a seamless connection for indoor and outdoor areas where water proofing is vital. The level design between the door track and grate ensures safe access for those with walkers or wheelchairs.

### How it works

The system includes a stainless steel linear grate which is installed to sit beside the door track. This innovative design therefore requires no modifications to the door frame. Because all projects require different water proofing solutions, all systems are custom made to application requirements.

### Why choose Hydro?

- > Designed for bi-fold or sliding doors.
- > Customised and professional solutions for your specific application.
- > Comprehensive project support by experienced specialists.
- > Designed for level entry.
- > Available in galvanised steel, and #304 & #316 stainless steels.

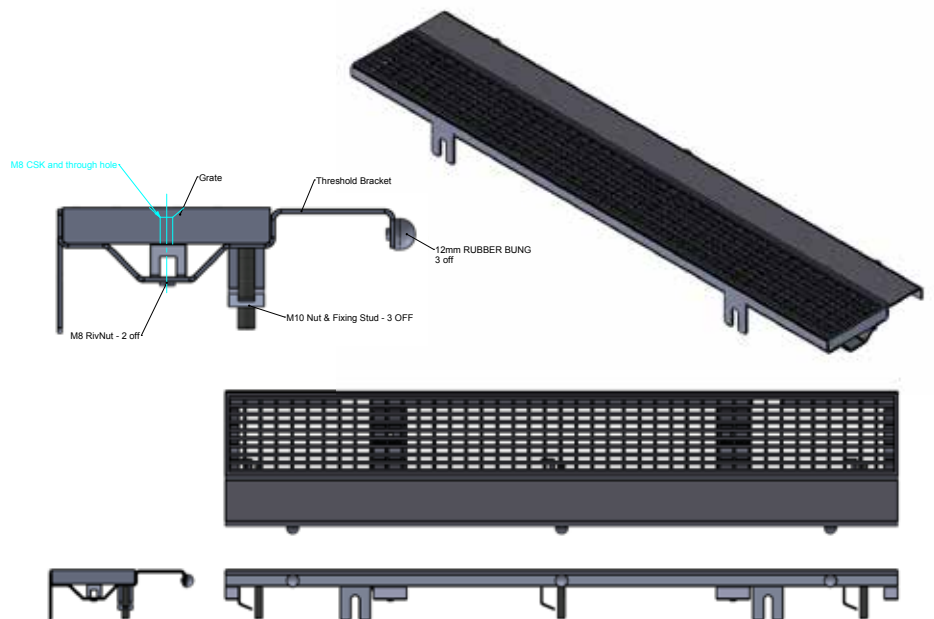
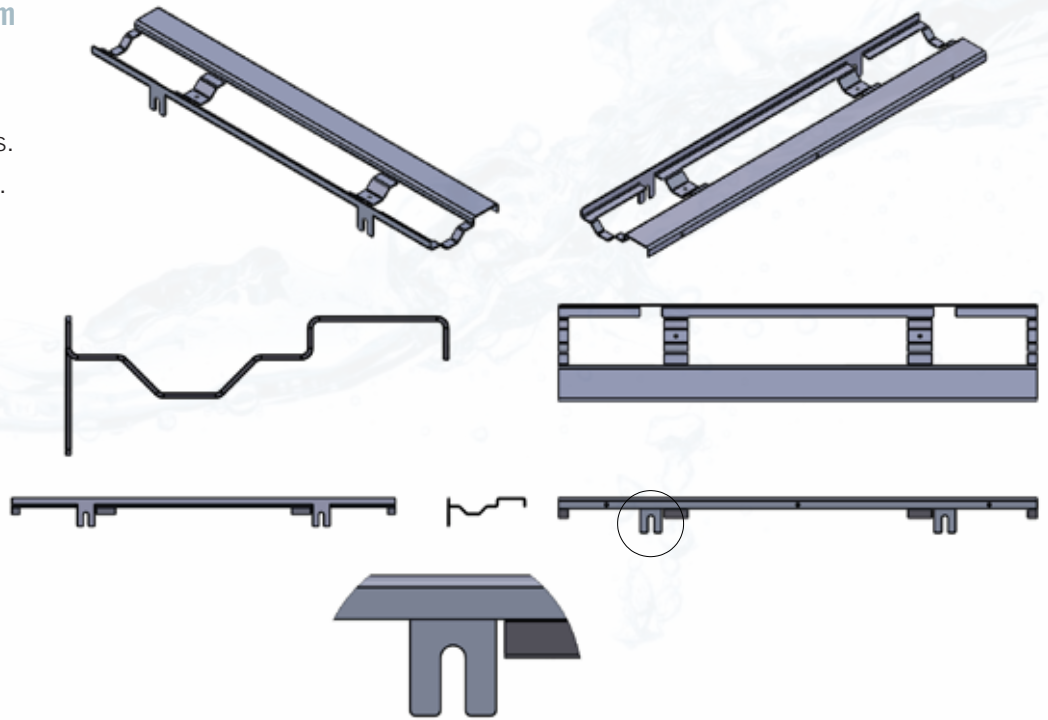


# HYDRO Zero Threshold

## Three system options

### 1. Cantilever Bracket System

- > Easy Installation.
- > Cost Effective Solution.
- > Standard and Custom Lengths.
- > Complies to E2 Building Code.
- > Variety of Grates Available.
- > Available in Stainless and Galvanised Materials.



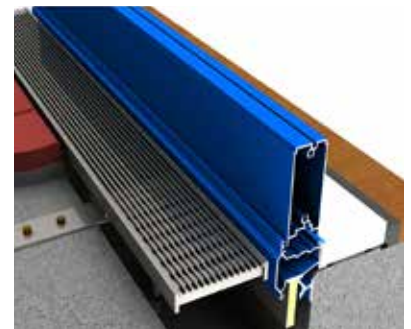
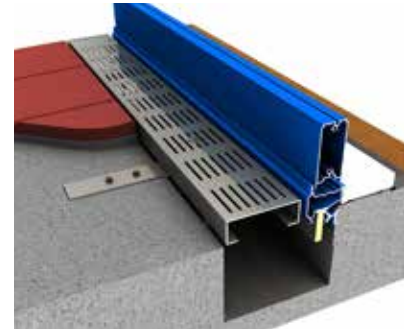
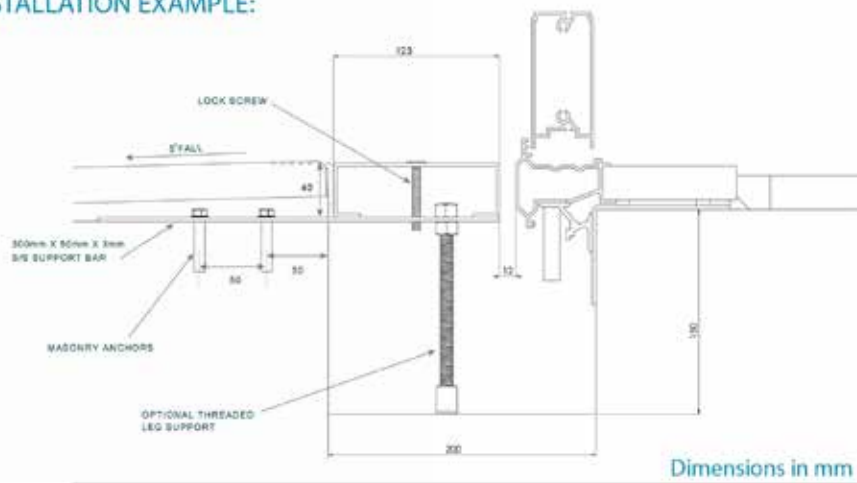
# HYDRO Zero Threshold

## Three system options

### 2. Cantilever Bar System

- > Easy Installation.
- > Cost Effective Solution.
- > Standard and Custom Lengths.
- > Complies to E2 Building Code.
- > Variety of Grates Available.
- > Available in Stainless and Galvanised Materials.

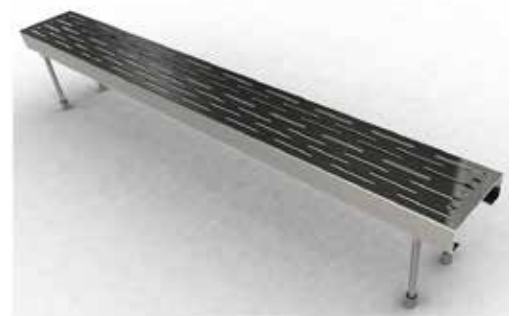
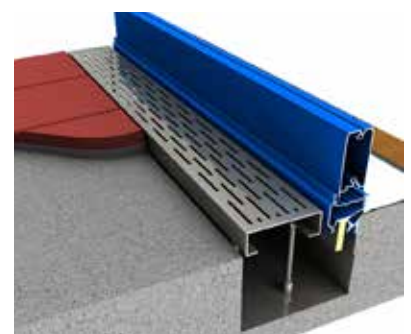
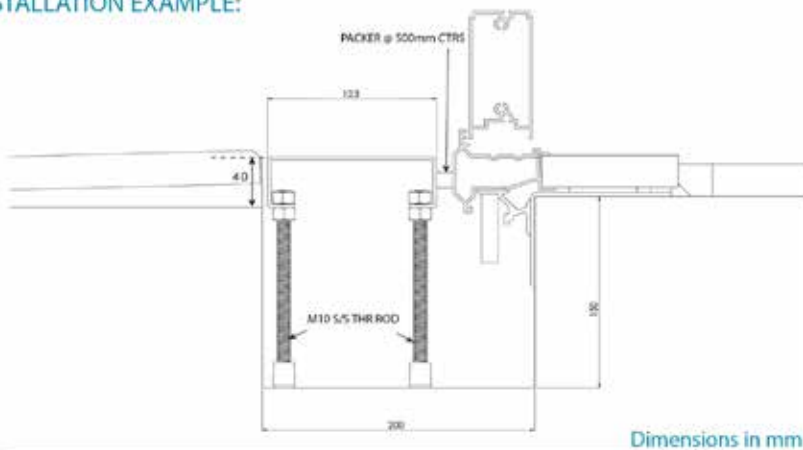
#### INSTALLATION EXAMPLE:



### 3. Freestanding Threaded Leg System

- > Cost effective solution.
- > Variable width, length, and depth manufactured to suit designers requirements.
- > Multiple heelguard lasercut grate patterns available.
- > Optional top adjustments available.

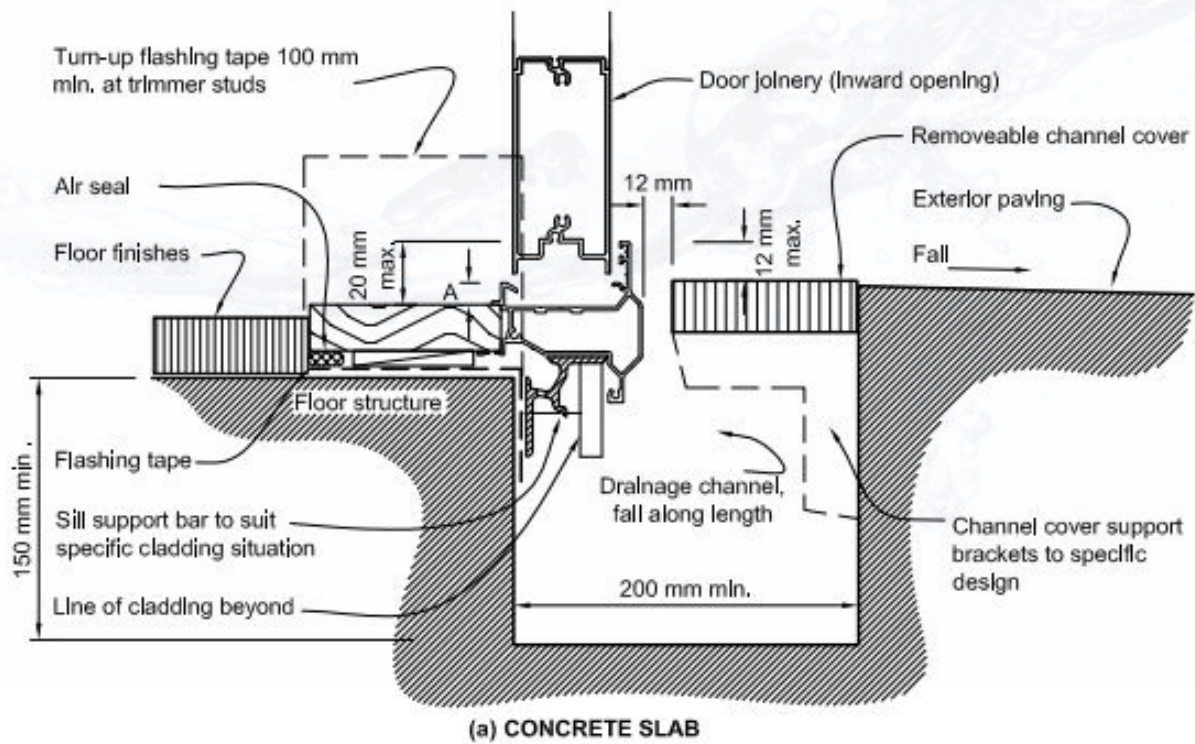
#### INSTALLATION EXAMPLE:



# E2 Building Code

## Concrete slab

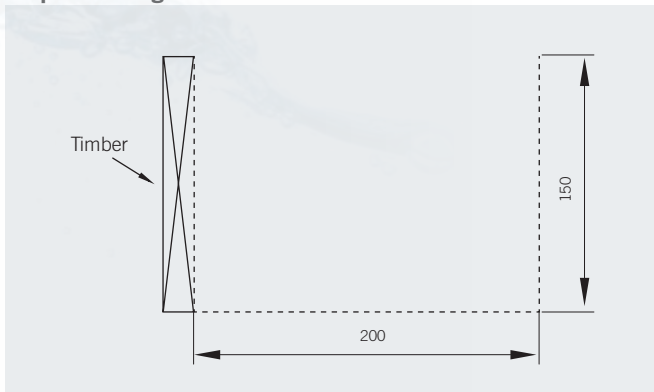
### Level thresholds for ground level



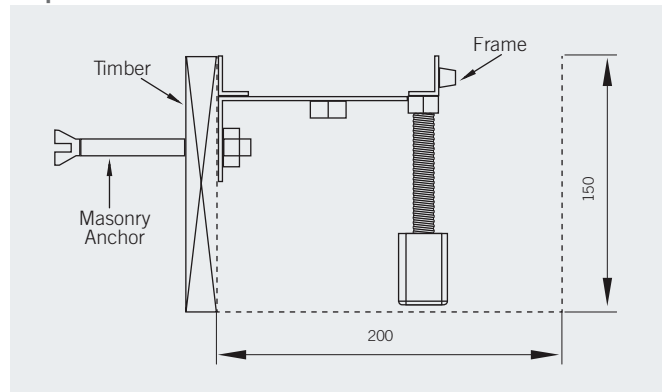
# HYDRO Zero Threshold

## Installation instructions

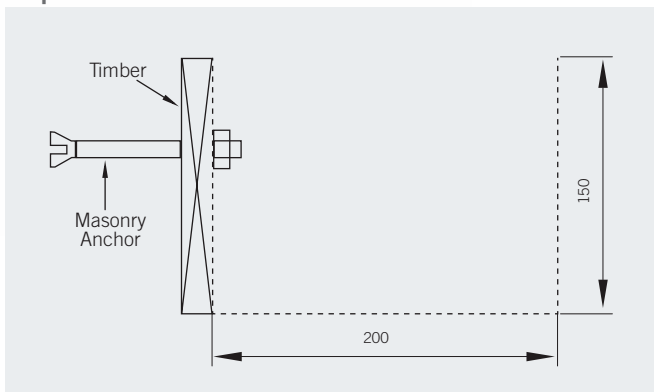
### Step 1: Boxing



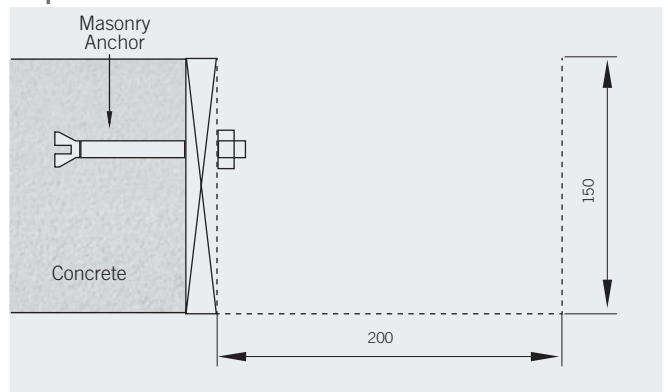
### Step 2: Install frame



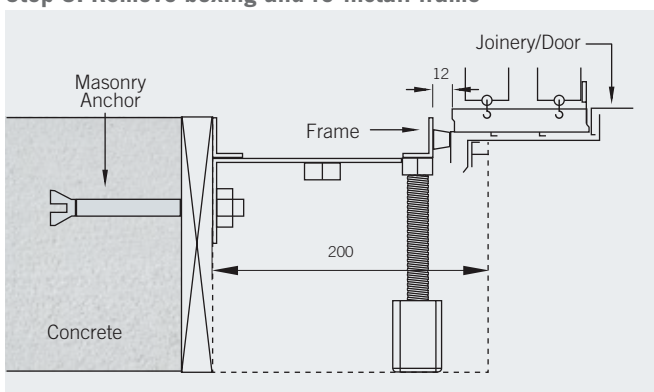
### Step 3: Remove frame



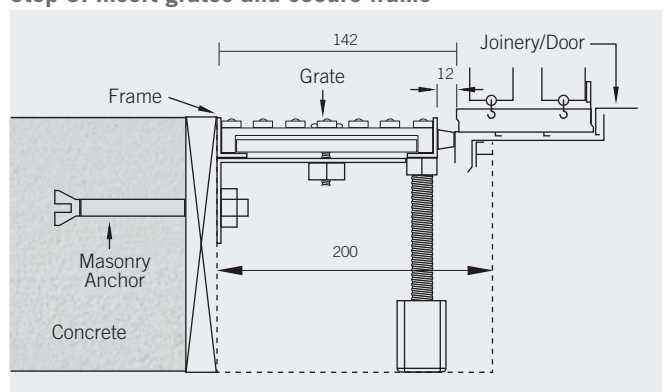
### Step 4: Pour concrete



### Step 5: Remove boxing and re-install frame



### Step 6: Insert grates and secure frame



Requires a 58mm overhang of joinery or cladding.

For information on our product ranges  
visit [www.hydrocp.com.au](http://www.hydrocp.com.au)



**HYDRO**

CONSTRUCTION PRODUCTS  
A PRODUCT FOR EVERY PROJECT

[www.hydrocp.com.au](http://www.hydrocp.com.au) [www.hydrocp.co.nz](http://www.hydrocp.co.nz)

**AUSTRALIA-WIDE**  
Phone ~1300 GO HYDRO  
Email ~ [sales@hydrocp.com.au](mailto:sales@hydrocp.com.au)

**MELBOURNE**  
Phone ~1300 GO HYDRO  
43 Agosta Drive  
Laverton North VIC 3026

**BRISBANE**  
Phone ~1300 GO HYDRO  
Unit 3, 45 Canberra Street  
Hemmant QLD 4174

**SYDNEY**  
Phone ~1300 GO HYDRO  
**NEW ZEALAND**  
Phone ~ 0800 493 766

**DISCLAIMER** While every care has been taken to compile the information in this catalogue, Hydro International Pty Ltd accepts no responsibility for errors, omissions or losses arising from actions based on this information. Because the conditions of use are beyond the control Hydro International Pty Ltd, all recommendations and suggestions on the use of Hydro International Pty Ltd products are made without guarantee. It is the customer's responsibility to ensure that each product is fit for its intended purpose and that the actual conditions are suitable. Hydro International Pty Ltd is constantly updating and improving its product range and reserves the right to amend specifications without notice.