

TECHNICAL DATA SHEET - MEA Fluid 150 GRP Drainage Channel

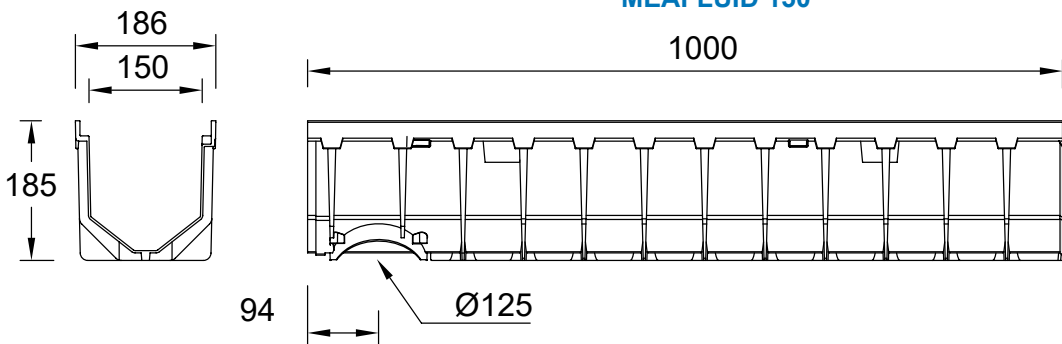
PRODUCT DETAILS

- Drainage channel made of GRP (Glassfibre Reinforced Polyester) with sealable channel groove.
- 150mm clear opening width.
- Available in 1 metre lengths.
- Includes connecting facility for vertical discharge outlet connector to channel or inline sump.
- Stainless Steel, ductile iron & galvanised grates available in slotted or heelguard designs.
- Boltless Clipfix locking system on grates.
- Channel accessories available including Inline Sumps & end caps.
- Interlocking joint system for an exact fitting of the channels.
- Designed for heavy duty applications up to AS3996 Class Load D210 when installed according to the MEA installation instructions.



CHANNEL DETAIL

MEAFLUID 150



BOLTLESS CLIPFIX



CHANNEL UNIT PROPERTIES

SMC (Sheet Moulded Compound):	Glassfibre Reinforced Polyester, with natural minerals	Heat Resistance:	100°C permanent exposure, 200°C short-term exposure
Tensile Strength:	65 N/mm ² (ISO527)	Frost Resistance:	-35°C
Flexural Tensile Strength:	120 N/mm ² (ISO14125)	Water Absorption:	<0.1% (ISO178)
Modulus of Elasticity:	10.000 N/mm ² (ISO14125)	Material Structure:	Capillary Free
Linear Expansion Coefficient:	1.5-2.0 x 10 ⁻⁵ /K	Clear Opening:	150mm
Total Width:	186mm	Load Class:	A10-D210 (AS3996)

MEAFLUID 150 PRODUCT LIST

Product Name	Part No.	Depth	Weight (kgs.)
MEAFLUID 150 GRP Channel	145102	185mm	4.7
MEAFLUID 150 End Cap	145120	N/A	0.2
MEAFLUID 150 GRP Inline Sump 0.5m	145112	694mm	11.4

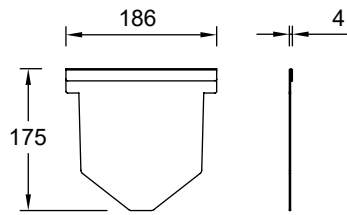
MEAFLUID 150 channels come with one 125mm outlet

TOLL FREE: 1300 GO HYDRO | hydrocp.com.au

[DRAIN](#) • [STAINLESS](#) • [DIAMOND TOOLS](#) • [GRATES & FRAMES](#) • [CABLEPIT](#) • [COVERS](#)

TECHNICAL DATA SHEET - MEA Fluid 150 GRP Drainage Channel

MEAFLUID 150 END CAP



MEAFLUID 150 INLINE SUMP

