

TECHNICAL DATA SHEET - Mearin Plus 300 GRP Channel

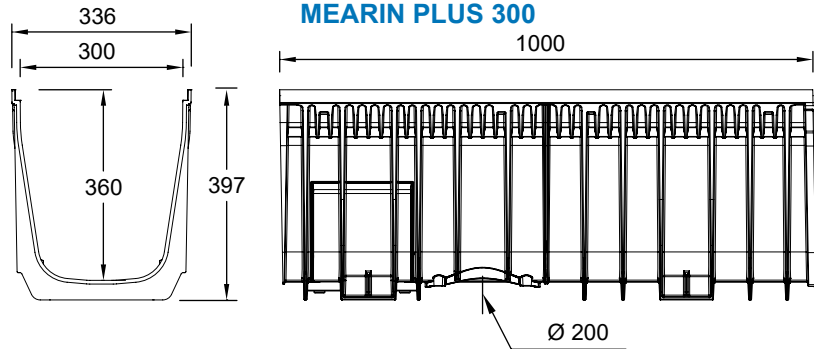


PRODUCT DETAILS

- Drainage channel made of GRP (Glassfibre Reinforced Polyester) with sealable channel groove.
- 300mm clear opening width.
- Available in 1 metre lengths.
- Includes connecting facility for vertical discharge outlet connector to channel.
- Ductile iron or galvanised grates available in wave and mesh designs.
- Boltless Starfix locking system on grates.
- Channel accessories available including end caps.
- Interlocking joint system for an exact fitting of the channels.
- Designed for heavy duty applications up to AS3996 Class Load E400 when installed according to the MEA installation instructions.

CHANNEL DETAIL

MEARIN PLUS 300



CHANNEL UNIT PROPERTIES

SMC (Sheet Moulded Compound):	Glassfibre Reinforced Polyester, with natural minerals	Heat Resistance:	100°C permanent exposure, 200°C short-term exposure
Tensile Strength:	65 N/mm ² (ISO527)	Frost Resistance:	-35°C
Flexural Tensile Strength:	120 N/mm ² (ISO14125)	Water Absorption:	<0.1% (ISO178)
Modulus of Elasticity:	10.000 N/mm ² (ISO14125)	Material Structure:	Capillary Free
Linear Expansion Coefficient:	1.5-2.0 x 10 ⁻⁵ /K	Clear Opening:	300mm
Total Width:	336mm	Load Class:	A10-E400 (AS3996)

MEARIN PLUS 300 PRODUCT LIST

Product Name	Part No.	Depth	Weight (kgs.)
Mearin Plus 300 GRP Channel	140400	397mm	11.8
Mearin Plus 300 GRP End Cap	140424	N/A	0.7
Mearin Plus 200 channels come with one 160mm outlet			

TOLL FREE: 1300 GO HYDRO | hydrocp.com.au

[DRAIN](#) • [STAINLESS](#) • [DIAMOND TOOLS](#) • [GRATES & FRAMES](#) • [CABLEPIT](#) • [COVERS](#)

TECHNICAL DATA SHEET - Mearin Plus 300 GRP Drainage Channel

MEARIN PLUS 300 END CAP

