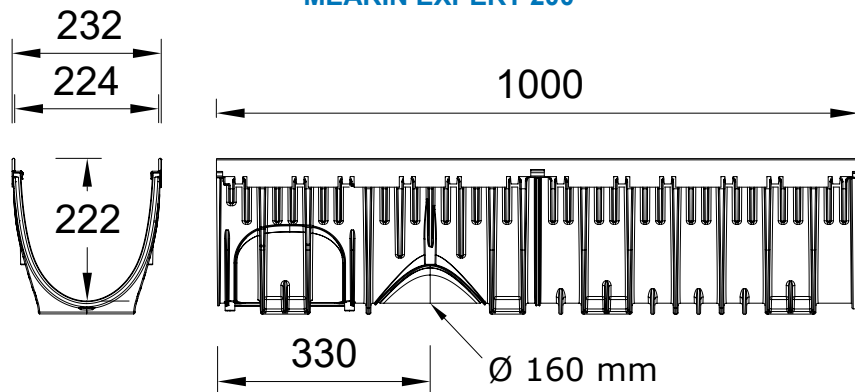


TECHNICAL DATA SHEET - Mearin Expert 200 GRP Channel With Galvanised Steel Edge Rail

PRODUCT DETAILS

- Drainage channel made of GRP (Glassfibre Reinforced Polyester) with integrated galvanised steel edge rail and sealable channel groove.
- 200mm clear opening width.
- Available in 1 metre lengths.
- Includes connecting facility for vertical discharge outlet connector to channel or inline sump.
- Ductile iron or galvanised grates available in slotted, wave, and mesh designs.
- Boltless Starfix locking system on grates.
- Channel accessories available including Inline Sumps & end caps.
- Interlocking joint system for an exact fitting of the channels.
- Designed for heavy duty applications up to AS3996 Class Load F600 when installed according to the MEA installation instructions.

CHANNEL DETAIL
MEARIN EXPERT 200

CHANNEL UNIT PROPERTIES

| | | | |
|-------------------------------|--|---------------------|---|
| SMC (Sheet Moulded Compound): | Glassfibre Reinforced Polyester, with natural minerals | Heat Resistance: | 100°C permanent exposure, 200°C short-term exposure |
| Tensile Strength: | 65 N/mm ² (ISO527) | Frost Resistance: | -35°C |
| Flexural Tensile Strength: | 120 N/mm ² (ISO14125) | Water Absorption: | <0.1% (ISO178) |
| Modulus of Elasticity: | 10.000 N/mm ² (ISO14125) | Material Structure: | Capillary Free |
| Linear Expansion Coefficient: | 1.5-2.0 x 10 ⁻⁵ /K | Clear Opening: | 200mm |
| Total Width: | 232mm | Load Class: | A10-F600 (AS3996) |

MEARIN EXPERT 200 PRODUCT LIST

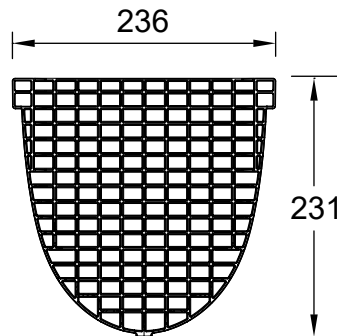
| Product Name | Part No. | Depth | Weight (kgs.) |
|---|----------|-------|---------------|
| Mearin Expert 200 GRP Channel | 140074 | 242mm | 8.3 |
| Mearin Expert 200 GRP End Cap | 140108 | N/A | 0.2 |
| Mearin Expert 200 GRP Inline Sump 0.5m | 140040 | 630mm | 4.5 |
| Mearin Expert 200 channels come with one 160mm outlet | | | |

TOLL FREE: 1300 GO HYDRO | hydrocp.com.au

[DRAIN](#) • [STAINLESS](#) • [DIAMOND TOOLS](#) • [GRATES & FRAMES](#) • [CABLEPIT](#) • [COVERS](#)

TECHNICAL DATA SHEET - Mearin Expert 200 GRP Drainage Channel With Galvanised Steel Edge Rail

MEARIN EXPERT 200 END CAP



MEARIN EXPERT 200 INLINE SUMP

