

TECHNICAL DATA SHEET - 300mm Clear Opening Polymer Concrete Channel With Cast Iron Edge Rail

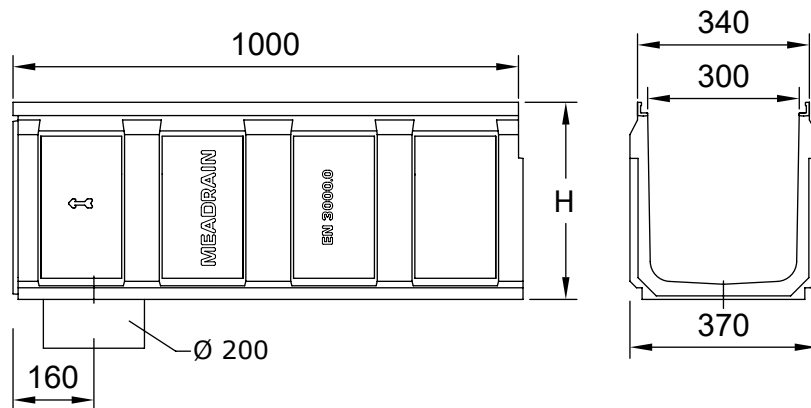


PRODUCT DETAILS

- Drainage channel made of polymer concrete Includes integrated cast iron edge protection.
- 300mm clear opening width.
- Available in 1 metre lengths.
- Includes connecting facility for vertical discharge outlet connector to channel or inline sump.
- Ductile Iron grates available in heelguard or slotted designs.
- Standard locking bolt system available.
- Channel accessories available including Inline Sumps & baskets.
- Interlocking joint system for an exact fitting of the channels.
- Designed for heavy duty applications up to AS3996 Class Load G900 when installed according to the MEA installation instructions.

CHANNEL DETAIL

C3000 - Various Depth Options Available



CHANNEL UNIT PROPERTIES

Polymer Concrete:	Based on polyester resin	Material Structure:	Capillary Free
Compression Resistance:	>90N/mm ²	Fall Type:	Constant, Stepped
Flexural Strength:	>22N/mm ²	Load Classes:	A10-G900 (AS3996)
Water Absorption:	Less than 0.05%	Total Height:	330-490mm (see next table for details)
Density:	2.1-2.3kg/dm ³	Total Width:	370mm
Modulus of Elasticity:	25-35kN/mm ²	Length:	1,000mm
Water Penetration Level:	0mm		

SUPREME CHANNEL LIST

Product Name	Part No.	Depth	Weight (kgs.)
C3000.0/330 Constant Depth Channel	153570	330mm	55
C3000.0 Constant Depth Channel	153571	390mm	61
C3020.0 Constant Depth Channel	157539	490mm	70

All 300mm constant depth channels come with one 200mm outlet

TOLL FREE: 1300 GO HYDRO | hydrocp.com.au

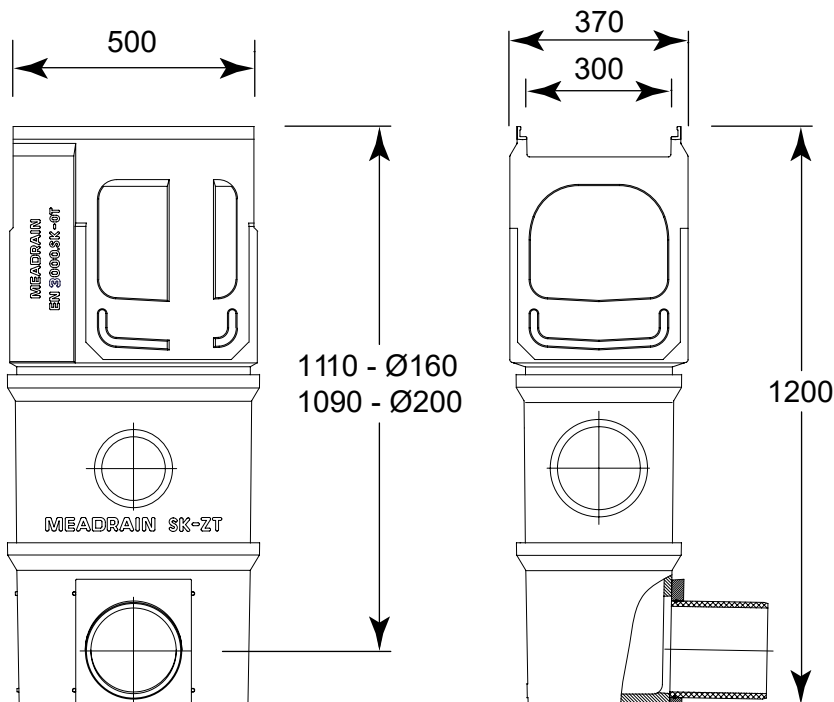
[DRAIN](#) • [STAINLESS](#) • [DIAMOND TOOLS](#) • [GRATES & FRAMES](#) • [CABLEPIT](#) • [COVERS](#)

TECHNICAL DATA SHEET - 200mm Clear Opening Polymer Concrete Channel With Cast Iron Edge Rail

SUPREME ACCESSORIES LIST

Product Name	Part No.	Depth	Weight (kgs.)
C3000 Galvanised Steel End Cap	153579G	N/A	1
Upper Gully Sump - Surrounding Cast Iron Edge Rail (Requires a bottom section)	154707	390	37.6
C3000 Universal Gully Top Section 0.5m (Requires a bottom section)	153557	540	33.8
Gully Bottom/Lower Short 0.5m (Requires a top section)	154711	335	24
Gully Bottom/Lower Long 0.5m (Requires a top section)	154719	485	33.6
Gully Middle Section 0.5m (Requires a top section)	154709	375	22
Galvanised Steel Bucket For C3000 Inline Sumps	154713	N/A	4.5

C3000 INLINE SUMP



C3000 END CAP

