

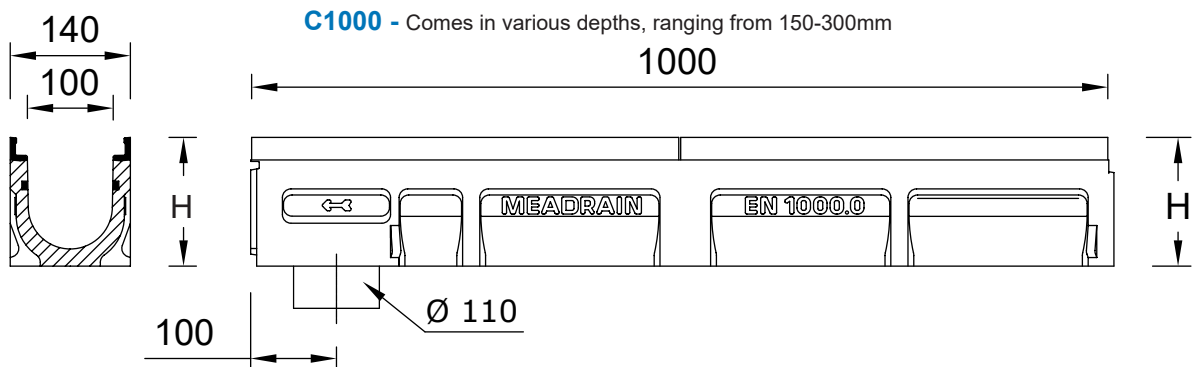
TECHNICAL DATA SHEET - 100mm Clear Opening Polymer Concrete Channel With Cast Iron Edge Rail



PRODUCT DETAILS

- Drainage channel made of polymer concrete with sealable channel groove. Includes integrated cast iron edge protection.
- 100mm clear opening width.
- Available in 1 metre lengths.
- Includes connecting facility for vertical discharge outlet connector to channel or inline sump.
- Ductile Iron grates available in slotted or heelguard designs.
- Standard locking bolt system available.
- Channel accessories available including Inline Sumps & baskets.
- Interlocking joint system for an exact fitting of the channels.
- Designed for heavy duty applications up to AS3996 Class Load G900 when installed according to the MEA installation instructions.

CHANNEL DETAIL



CHANNEL UNIT PROPERTIES

Polymer Concrete:	Based on polyester resin	Material Structure:	Capillary Free
Compression Resistance:	>90N/mm ²	Fall Type:	Constant
Flexural Strength:	>22N/mm ²	Load Classes:	A10-G900 (AS3996)
150-300mm Water Absorption:	Less than 0.05%	Total Height:	150-300mm (see next table for details)
Density:	2.1-2.3kg/dm ³	Total Width:	140mm
Modulus of Elasticity:	25-35kN/mm ²	Length:	1,000mm
Water Penetration Level:	0mm		

SUPREME CHANNELS LIST

Product Name	Part No.	Depth	Weight (kgs.)
C1000.0 Constant Depth	157201	150mm	16.5
C1005.0 Constant Depth	157219	175mm	17.8
C1010.0 Constant Depth	157237	200mm	19.6
C1015.0 Constant Depth	157255	225mm	22.2
C1020.0 Constant Depth	157273	250mm	24.2
C1030.0 Constant Depth	157279	300mm	27.8

All constant depth channels come with one 110mm outlet

TOLL FREE: 1300 GO HYDRO | hydrocp.com.au

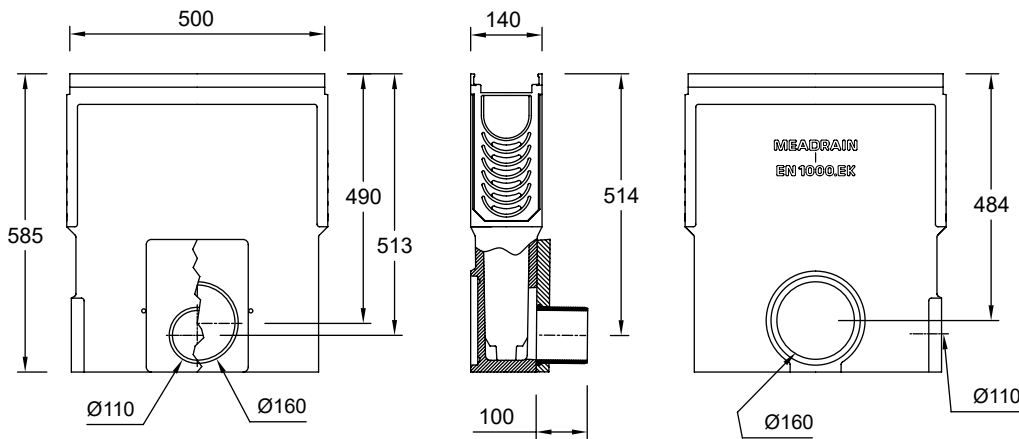
[DRAIN](#) • [STAINLESS](#) • [DIAMOND TOOLS](#) • [GRATES & FRAMES](#) • [CABLEPIT](#) • [COVERS](#)

TECHNICAL DATA SHEET - 200mm Clear Opening Polymer Concrete Channel With Cast Iron Edge Rail

SUPREME ACCESSORIES LIST

Product Name	Part No.	Depth	Weight (kgs.)
Galvanised Steel End Cap	153371	N/A	0.3
C1000 Inline Sump Including HDPE Sediment Bucket 0.5m	157291	585mm	25

C1000 INLINE SUMP



C1000 END CAP

