

TECHNICAL DATA SHEET - 123mm Ductile Iron Longitudinal Heelguard Clipfix Grate - Class D



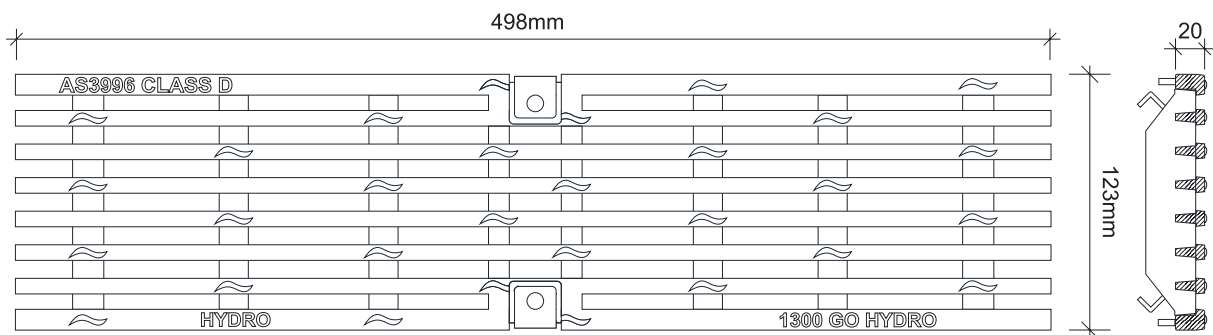
Hydro Ductile Iron Longitudinal Heelguard Grate

Load Class D210 (AS3996), point load approximately 8,000kg.
 Compliant for wheelchair and walking cane safety AS1428.2.
 Compliant for bicycle tyre penetration AS3996.
 Compliant for surface openings in pedestrian areas AS3996.

Intake area of 18,534mm² per half metre grate.
 Manufactured from ductile iron with KTL coating.
 Total width of grates 123mm.

Locking Mechanisms

Clipfix locking mechanism offers securement to channel units or inline sumps. Grate is compatible with MEA Supreme/Solution channel systems LZ1000/ Z1000, and MEAFLUID 100 GRP channels.



PRODUCT SPECIFICATION				
DESCRIPTION	MATERIAL	LENGTH	PRODUCT CODE	WEIGHT (KG)
123mm Ductile Iron Longitudinal Heelguard Grate 0.5 Clipfix	Ductile Iron	498mm	152700	4.2

TOLL FREE: 1300 GO HYDRO | hydrocp.com.au

[DRAIN](#) • [STAINLESS](#) • [DIAMOND TOOLS](#) • [GRATES & FRAMES](#) • [CABLEPIT](#) • [COVERS](#)