

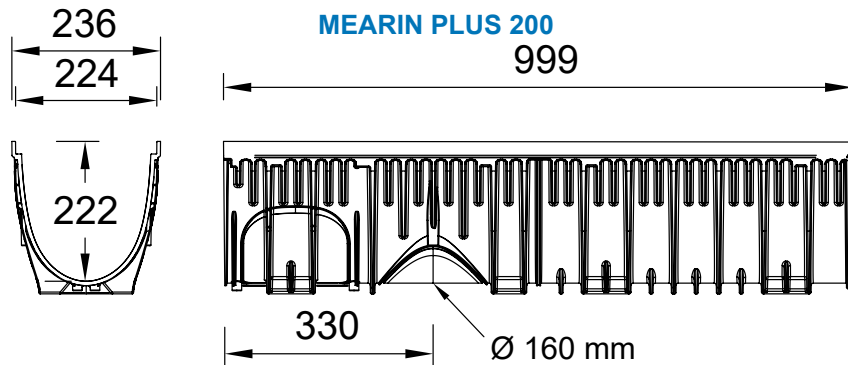
TECHNICAL DATA SHEET - Mearin Plus 200 GRP Channel

PRODUCT DETAILS

- Drainage channel made of GRP (Glassfibre Reinforced Polyester) with sealable channel groove.
- 200mm clear opening width.
- Available in 1 metre lengths.
- Includes connecting facility for vertical discharge outlet connector to channel or inline sump.
- Ductile iron or galvanised grates available in slotted, wave, and mesh designs.
- Boltless Starfix locking system on grates.
- Channel accessories available including Inline Sumps & end caps.
- Interlocking joint system for an exact fitting of the channels.
- Designed for heavy duty applications up to AS3996 Class Load E400 when installed according to the MEA installation instructions.



CHANNEL DETAIL



CHANNEL UNIT PROPERTIES

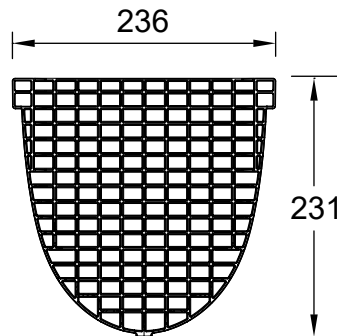
SMC (Sheet Moulded Compound):	Glassfibre Reinforced Polyester, with natural minerals	Heat Resistance:	100°C permanent exposure, 200°C short-term exposure
Tensile Strength:	65 N/mm ² (ISO527)	Frost Resistance:	-35°C
Flexural Tensile Strength:	120 N/mm ² (ISO14125)	Water Absorption:	<0.1% (ISO178)
Modulus of Elasticity:	10.000 N/mm ² (ISO14125)	Material Structure:	Capillary Free
Linear Expansion Coefficient:	1.5-2.0 x 10 ⁻⁵ /K	Clear Opening:	200mm
Total Width:	236mm	Load Class:	A10-E400 (AS3996)

MEARIN PLUS 200 PRODUCT LIST

Product Name	Part No.	Depth	Weight (kgs.)
Mearin Plus 200 GRP Channel	140034	242mm	6.7
Mearin Plus 200 GRP End Cap	140108	N/A	0.2
Mearin Plus 200 GRP Inline Sump 0.5m	140040	630mm	4.5
Mearin Plus 200 channels come with one 160mm outlet			

TECHNICAL DATA SHEET - Mearin Plus 200 GRP Drainage Channel

MEARIN PLUS 200 END CAP



MEARIN PLUS 200 INLINE SUMP

