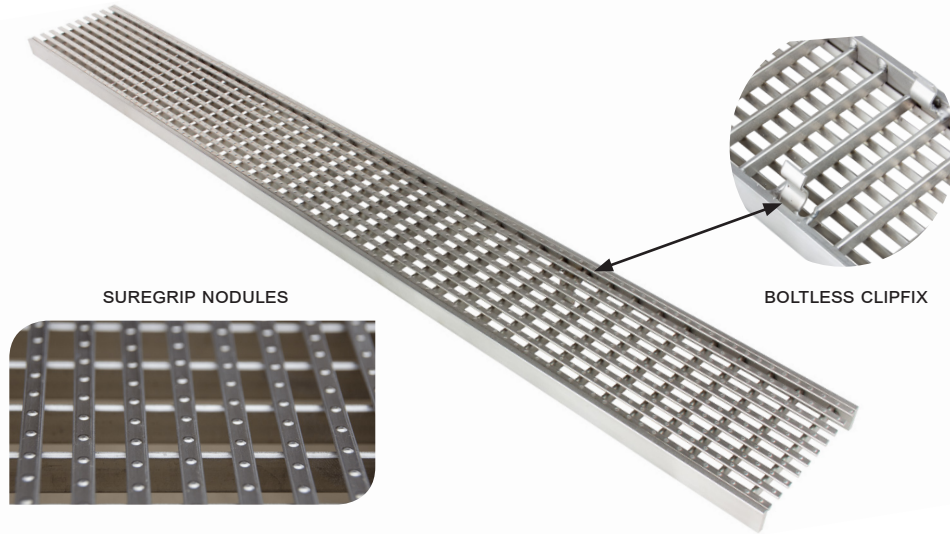


TECHNICAL DATA SHEET - 123mm Stainless Steel Class B SureGrip Heelguard Grate CLIPFIX - Grade 304



Hydro Stainless Steel Premium Heelguard Grate

Designed for aesthetics and functionality, Hydro Stainless Steel Premium Heelguard grates are manufactured from Australian made, high quality wedge-wire grating, in grade 304, with the option for grade 316 upon request. They include 5mm SureGrip wire with nodules for slip resistance with a 6.1mm gap. They also come standard with our boltless Clipfix locking clips for ease of installation.

Our Clipfix grates are compatible with our MEA polymer channel systems, and also our MEAFLUID GRP channel system.

Intake area of 60,476mm² per metre of grate.

80KN, point load approximately 2670Kgs.

Certified to Load Class B80 (AS3996).

Compliant for surface openings in pedestrian areas (AS3996).

Compliant for Slip resistance for Wet Pendulum Test (AS4586:P5).

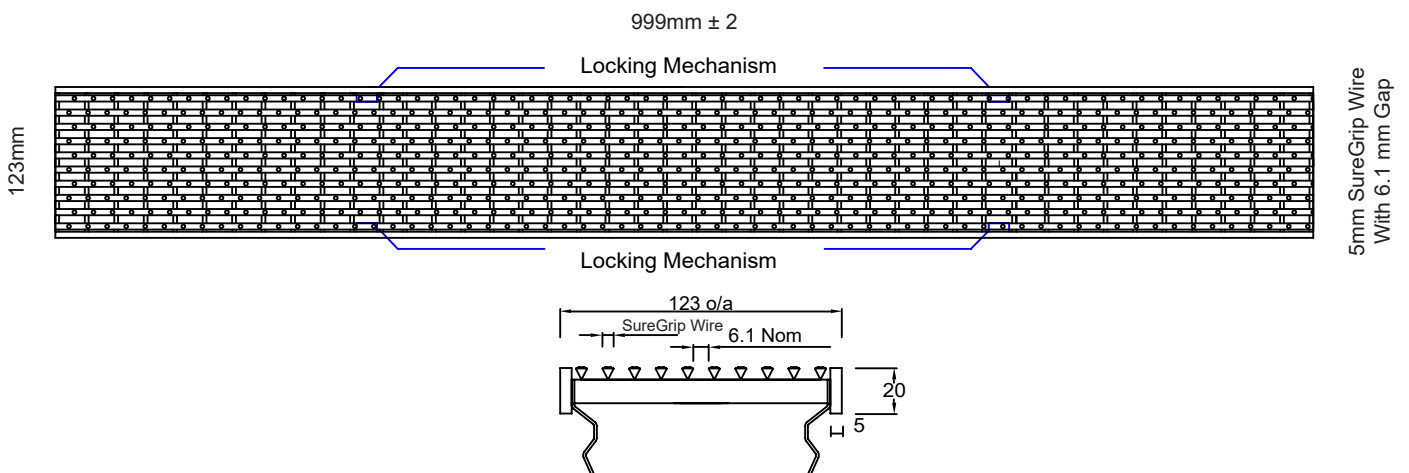
Compliant for Slip resistance for Wet-Barefoot inclining platform test (AS4586:C).

Compliant for Slip resistance classification for Oil-Wet inclining platform test (AS4586: R11- Parallel).

Compliant for Slip resistance classification for Oil-Wet inclining platform test (AS4586: R12- Perpendicular).

Compliant for wheelchair and walking cane safety (AS1428.2- Clause 9).

Compliant for bicycle tyre penetration resistance (AS3996- Clause 3.3.6).



PRODUCT SPECIFICATION			
DESCRIPTION	MATERIAL	PRODUCT CODE	WEIGHT (KG)
123mm SureGrip Heelguard Grate, Grade 304	Stainless Steel	148935/7CF	4.3kg

TOLL FREE: 1300 GO HYDRO | hydrocp.com.au

[DRAIN](#) • [STAINLESS](#) • [DIAMOND TOOLS](#) • [GRATES & FRAMES](#) • [CABLEPIT](#) • [COVERS](#)